



SB60 airSOUND™ BASE / SB60LX airSOUND™ BASE



HANDBOOK

version 2

ORBITSOUND



CONTENTS

WELCOME	2
The airSOUND BASE SB60 / SB60LX	3
airSOUND BASE Controls & Indicators	
GETTING STARTED	4
Remote control	
Sound Source / Setting memory	
FRONT GRILLE (SB60 ONLY)	
GETTING THE BEST SOUND	7
CLEANING AND CARE	7
TROUBLESHOOTING	8

WELCOME

Thank you for purchasing the Orbitsound SB60/SB60LX airSOUND BASE. With proper use the airSOUND BASE delivers superb sound fidelity, engaging spatial sound, and will provide you with a fantastic listening experience for your TV, media and music.

Note, this handbook is relevant for SB60 and SB60LX products. In diagrams, the SB60 is shown on front views.

PACKAGE CONTENTS

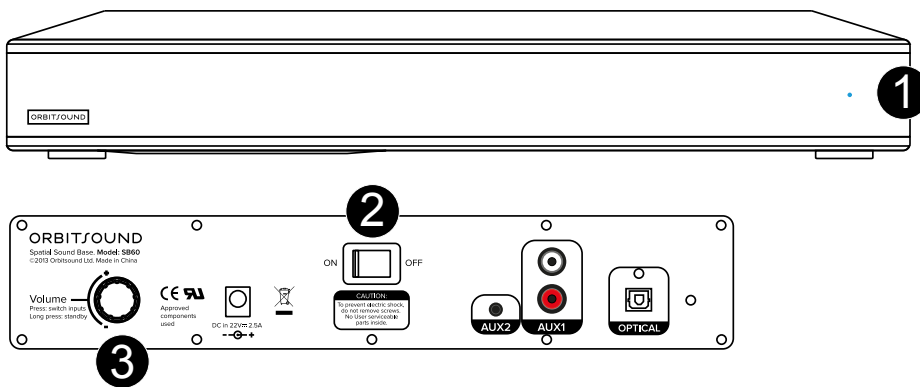
- airSOUND BASE
- Remote control
- Power supply + power cord
- User's guide / warranty information
- Quick start guide
- Analogue audio connection cable
- Digital optical (TOSLINK) connection cable
- Colour fascias (silver and black) (SB60 model only)
- 8 round anti-vibration/protection pads

The airSOUND BASE SB60 / SB60LX

The Orbitsound airSOUND BASE SB60 / SB60LX is a single box TV sound system that delivers full range spatial sound for your living room. It is designed to work with your TV to give amazing, true and clear sound.

The airSOUND BASE has 5 speakers. 2 front speakers that produce high definition mid and high frequencies, 2 side speakers that generate the spatial experience, and an integrated down-firing subwoofer that delivers strong bass. All these speakers work together for a great sonic experience.

airSOUND BASE Controls & Indicators



(1) - Status LED

Red: Standby mode

Blue: On

Blue (flashing): Mute

Off: Power off

(2) - Main power switch

(3) - Volume control (turn):

Turn clockwise to increase volume (loudness), anticlockwise to decrease volume. The blue status LED (1) will flash when the volume changes.

(3) - Volume (short press):

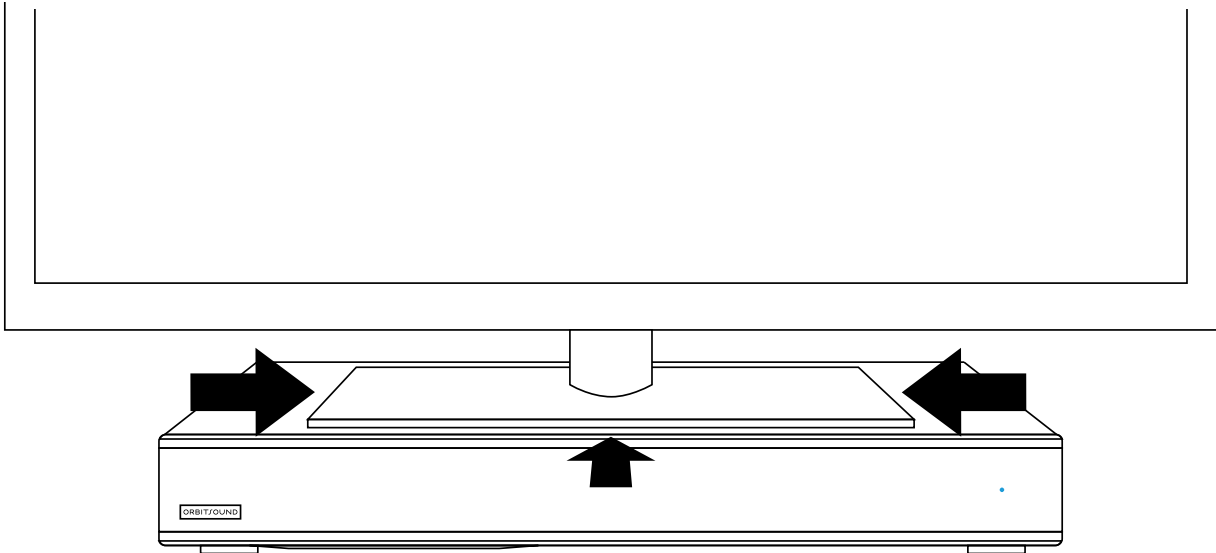
Press to cycle through the inputs.

(3) - Volume (long press):

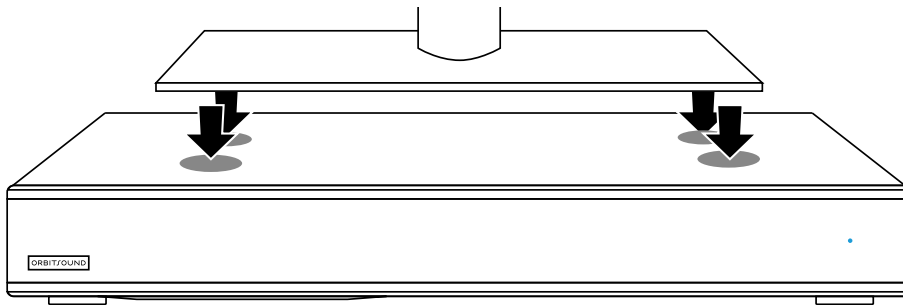
Enter standby mode. Press the volume control to resume from standby mode.

GETTING STARTED

1. TV SETUP



Position the airSOUND BASE under your TV. If your TV base is too large (bigger than 59cm wide), then the airSOUND BASE should be placed on a shelf below or above your TV. The airSOUND BASE can also be used without a TV as a sound system.

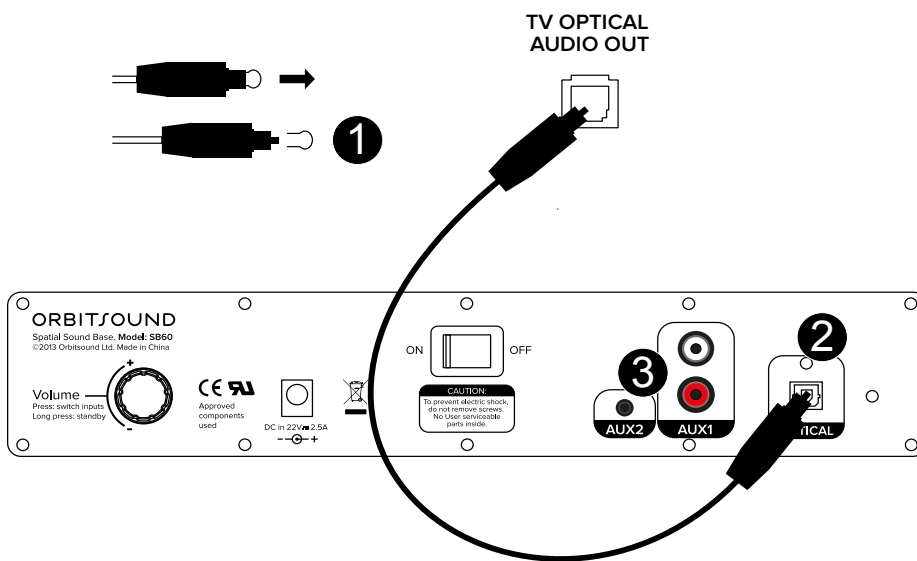


The airSOUND BASE is packaged with 8 anti-vibration/protection pads. If you experience vibration noise from your TV set during use, then use the pads as shown to help prevent this.

Hint: You can use the pads under the airSOUND BASE if necessary to help reduce vibrations transmitted to other objects around your TV.

WARNING: Make sure that your TV is safe. Do not use the anti-vibration mats if the TV becomes unstable.

2. CONNECTING UP

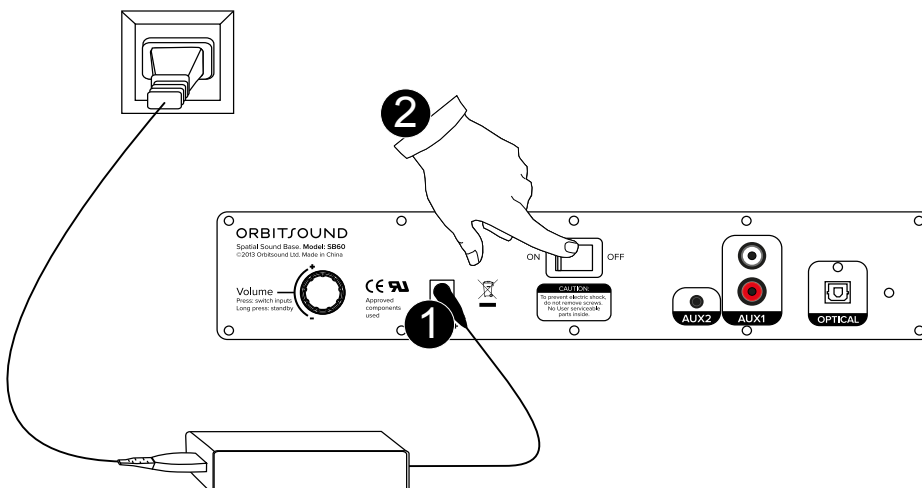


The best way of connecting the airSOUND BASE to your TV is with the included optical (TOSLINK) cable. Remove the protective covers (1). Use the cable to connect the Digital optical output of your TV to the airSOUND BASE optical input (2).

Note: Make sure the connectors CLICK into place.

Note: Turn down or turn off your TV speakers in the TV menus.

Note: Check that the sound setting is set to 'PCM' / Stereo, and audio output is set to 'optical' on the TV menus.



Connect the power supply and mains cord to the airSOUND BASE (1). Switch on the power (2). You should now hear your TV sound playing through your airSOUND BASE.

If your TV does not have optical:

Use the included analogue cable to connect the audio output from your TV to the airSOUND BASE AUX 1 or AUX 2 inputs. You will need to change the source of the airSOUND BASE to AUX to hear this input.

Note: Some TVs may only have a 3.5mm jack (headphones) output, you can also use this output. If your TV has no audio output, you can connect the optical cable to your set top box.

Remote control

Source	Changes the input source
Volume + / -	Controls volume
Power	Enter standby / resume
Treble + / -	Changes the sound of the airSOUND BASE + / - 5 steps.
Bass + / -	Changes the volume of the subwoofer + / - 5 steps.
Mute	Enables mute / resumes playback

Note: When a remote control button is pressed and the airSOUND BASE responds, the status LED will flash.

Sound Source / Setting memory

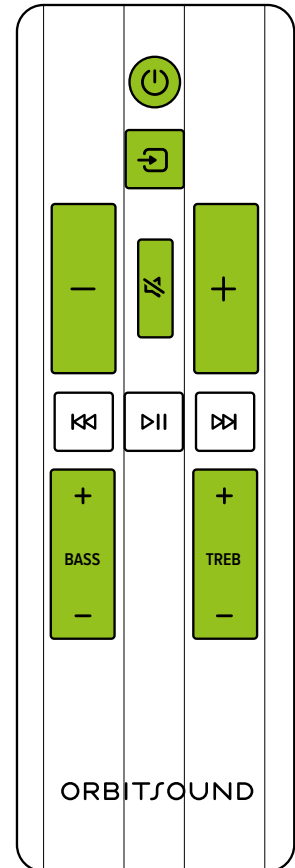
When the power is connected, the sound and source of the airSOUND BASE is reset. The inputs are:

1. Optical (default)
2. AUX 1 (RCA inputs)
3. AUX 2 (jack input)

Note, the volume, bass, treble and source settings are remembered when entering or resuming from standby.

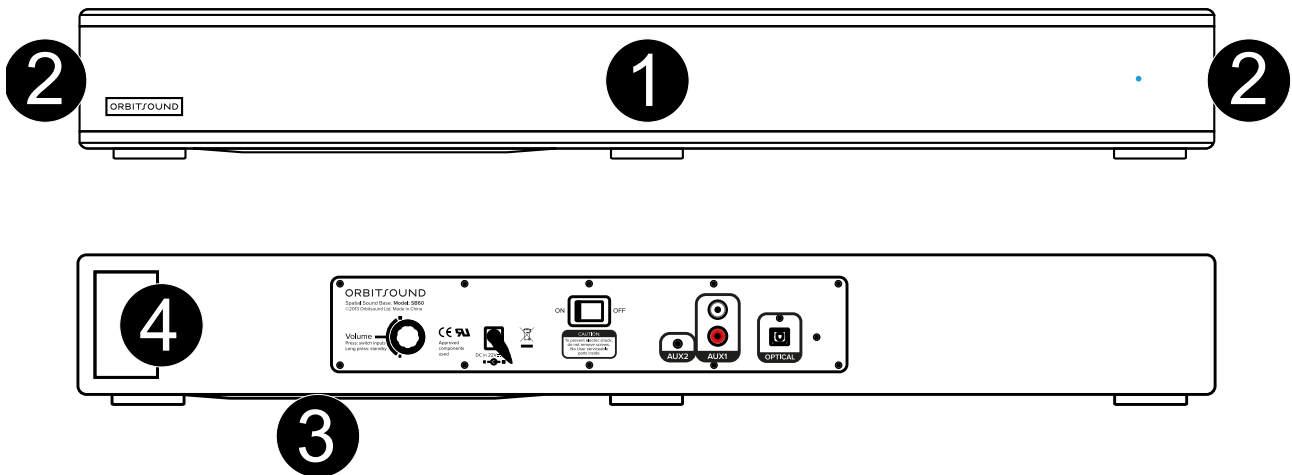
FRONT GRILLE (SB60 ONLY)

The SB60 airSOUND BASE front grille is easily changed. It is held in place by magnetic attachments. To replace the front grille, gently pull the side of the grille away from the unit, and it will detach. Offer the new grille, and it will snap into place.



The highlighted buttons perform various functions on the SB60/ SB60LX

GETTING THE BEST SOUND



The airSOUND BASE is easy to set up and enjoy, but even better sound may be achieved by following these easy steps:

Spatial Sound:

The spatial sound field is produced by the speakers in the sides of the airSOUND BASE (2). These special signals interact with the main signal (1) to produce spatial sound in your listening environment. Make sure that the side grilles are free from obstacles.

The Subwoofer:

The integrated subwoofer (3) is down firing and produces powerful bass. Make sure that loose objects are not able to rattle on the surface near the airSOUND BASE. You can turn the Bass down with the remote control to reduce the bass level.

To get the best bass performance, ensure that the bass port (4) is free from obstruction, and it is at least 5cm away from the nearest wall.

CLEANING AND CARE

Use a soft, clean cloth moistened with plain, luke-warm water to clean the exterior of the unit. Glass cleaner is a good way to remove finger marks, but use it sparingly, and avoid contact with the actual loudspeaker driver units.

IMPORTANT: Never use solvents such as benzene or other strong chemical cleaners since these could damage the unit's finish. It is **VERY** important that no liquid reaches the inside of the unit.

TROUBLESHOOTING

No sound:

Check power connections and that there is a continuous blue light on control panel.

Check that the TV or other sound source is playing and that it is connected properly to the airSOUND BASE. If unsure that your media device is playing, unplug, and test with headphones.

Press the 'source' button on the remote control to change the sound source. The status LED (2) will flash when the source changes.

Adjust the volume of the soundbar until sound is heard.

The sound is out of sync with the TV

Make sure all video sources are connected to the TV and that the airSOUND BASE is connected to the TV optical output or RCA (AUX) output. This connection method should re-align the sound. If it is still out of sync, look for a sound/time alignment menu in the TV menus.

Remote does not work

Check that plastic strip in remote (battery) has been removed.

If the remote has had a lot of use, replace the battery.

Check there are no obstructions between the remote and the front of the airSOUND BASE.

Sound is noisy / 'hissy'

Turn down the volume of the airSOUND BASE unit and turn up the output volume of music source to compensate.

Use the digital optical (TOSLINK) input if possible to reduce noise.

Digital optical issues:

'Clicking' or no sound

Ensure both ends of the optical cable have had the protective plastic tip removed.

Ensure both ends of the cable have been inserted fully; a distinct 'click' will be felt when the cable is properly seated.

Check the output format of the optical signal from the playing device. Choose 'normal' or 'PCM' format. Refer to the TV manufacturer's handbook for more information. You can also contact Orbitsound for advice, see contact help line in this handbook and on the packaging.

Battery replacement (remote control)

Replace remote battery with anode up (+) from back-side. Use CR2025 or CR2032 battery. Note: CR2032 is a larger battery that will last longer.

SPECIFICATIONS

Frequency range +/- 3 dB [Hz]	38 – 16KHz
Control; response (remote control)	LF: +,-8dB subwoofer volume HF: 10KHz +/- 8dB EQ
Maximum SPL [dB]	95dBA
Amp. power	200W total
Crossover frequencies [Hz]	220Hz
Front main drivers	2x2” Orbitsound mk2
Spatial drivers	2x2” Orbitsound mk2
Sub-Bass driver	1 x 5”
Enclosure types	Front – asymmetric sealed Sides – sealed chambers Subwoofer – hybrid mode down firing.
Connection input(s)	Stereo Line level -10dBu 3.5mm jack and RCA. TOSLINK optical (Stereo).
Recommended placement	Under television
Dimensions (H x W x D) [mm]	60 x 34 x 8cm (soundbar)
Cabinet finish	SB60 High gloss engineered wood SB60LX PVC coated engineered wood
Weight (in packaging)	9Kg
Power consumption Standby / Idle	0.4W / 3W
Voltage / Power	22V DC / 110-240v AC
Remote Control IR lead code	6122/01FE

‘Orbitsound’ and ‘airSOUND’ are registered trade marks of Orbitsound Ltd.

FCC Statement:

This device complies with Part 15 of the FCC Rules. Operation is subject to the following two conditions: (1) this device may not cause harmful interference, and (2) this device must accept any interference received, including interference that may cause undesired operation. Any changes or modifications not expressly approved by the party responsible for compliance could void the user's authority to operate the equipment.

THE MANUFACTURER IS NOT RESPONSIBLE FOR ANY RADIO OR TV INTERFERENCE CAUSED BY UNAUTHORIZED MODIFICATIONS OR CHANGE TO THIS EQUIPMENT. SUCH MODIFICATIONS OR CHANGE COULD VOID AND CHANGE ANTENNA WHICH THE MANUFACTURER PROVIDES. IT IS THE USER'S AUTHORITY TO OPERATE THE EQUIPMENT.

This equipment has been tested and found to comply with the limits for a Class B digital device, pursuant to part 15 of the FCC Rules. These limits are designed to provide reasonable protection against harmful interference in a residential installation. This equipment generates, uses and can radiate radio frequency energy and, if not installed and used in accordance with the instructions, may cause harmful interference to radio communications. However, there is no guarantee that interference will not occur in a particular installation. If this equipment does cause harmful interference to radio or television reception, which can be determined by turning off and on, the user is encouraged to try to correct the interference by one or more of the following measures:

- Reorient or relocate the receiving antenna.
- Increase the separation between the equipment and receiver.
- Connect the equipment into an outlet on a circuit different from that to which the receiver is connected.
- Consult the dealer or an experienced radio/TV technician for help.

This equipment complies with FCC radiation exposure limits set forth for an uncontrolled environment. To maintain compliance with FCC's RF exposure guidelines, this equipment should be installed and operated with a minimum distance of 20cm between radiator and your body. This transmitter must not be co-located or operating in conjunction with any other antenna or transmitter.

WARNINGS

- To reduce the risk of fire or electric shock, do not expose this apparatus to rain or moisture. The apparatus shall not be exposed to dripping or splashing and that objects filled with liquids, such as vases, shall not be placed on apparatus
- Where the mains plug or appliance coupler is used as the disconnect device, such disconnect device shall remain readily operable
- Only use AC/DC adaptor specified rating: Input 100-240Vac, 50-60HZ; Output 22Vdc, 2.5A. This product is intended to be used only with the power supply provided
- The direct plug-in adaptor is used as disconnect device, the disconnect device shall remain readily operable (for speaker)

Important Safety Information

1. Read these instructions.
2. Keep these instructions.
3. Heed all warnings – on the product and in the owner's guide.
4. Follow all instructions.
5. Do not use this apparatus near water.
6. Clean only with a dry cloth.
7. Do not block any ventilation openings. Install in accordance with the manufacturer's instructions.
8. Do not install near any heat sources, such as radiators, heat registers, stoves or other apparatus (including amplifiers) that produce heat.
9. No naked flame sources, such as lighted candles, should be placed on the apparatus.
10. Do not defeat the safety purpose of the polarized or grounding-type plug. A polarized plug has two blades with one wider than the other. A grounding-type plug has two blades and a third grounding prong. The wider blade or third prong is provided for your safety. If the provided plug does not fit in your outlet, consult an electrician for replacement of the obsolete outlet.
11. Protect the power cord from being walked on or pinched, particularly at plugs, convenience receptacles, and the point where they exit from the apparatus.
12. Only use attachments/accessories specified by Orbitsound.
13. Do not let objects or liquids enter the product – as they may touch dangerous voltage points or short-out parts that could result in a fire or electric shock.
14. Do not dispose of batteries in a fire as they may explode. Batteries may also explode if damaged.
15. This product may contain magnetic parts. Metallic materials may be attracted to the product. Do not place credit cards or other magnetic storage media near the product, because information stored on them may be erased.
16. Use only with the cart, stand, tripod, bracket or table specified by the manufacturer or sold with the apparatus. When a cart is used, use caution when moving the cart/apparatus combination to avoid injury from tip-over.
17. Unplug this apparatus during lightning storms or when unused for long periods of time to prevent damage to this product.
18. To prevent risk of fire or electric shock, avoid overloading wall outlets, extension cords, or integral convenience receptacles.
19. The mains plug is used to disconnect the device and it shall remain readily operable. To completely disconnect the power input, the mains plug of the apparatus shall be disconnected from the mains.
20. Refer all servicing to qualified service personnel. Servicing is required when the apparatus has been damaged in any way, such as power-supply cord or plug is damaged, liquid has been spilled or objects have fallen into the apparatus; the apparatus has been exposed to rain or moisture, does not operate normally, or has been dropped.

ORBITSOUND

ORBITSOUND LTD.
+44 (0)8456 521 219
www.orbitsound.com/support
support@orbitsound.com