

ONE P70

QUICKSTART GUIDE

DESIGNED
IN BRITAIN

ORBIT/SOUND

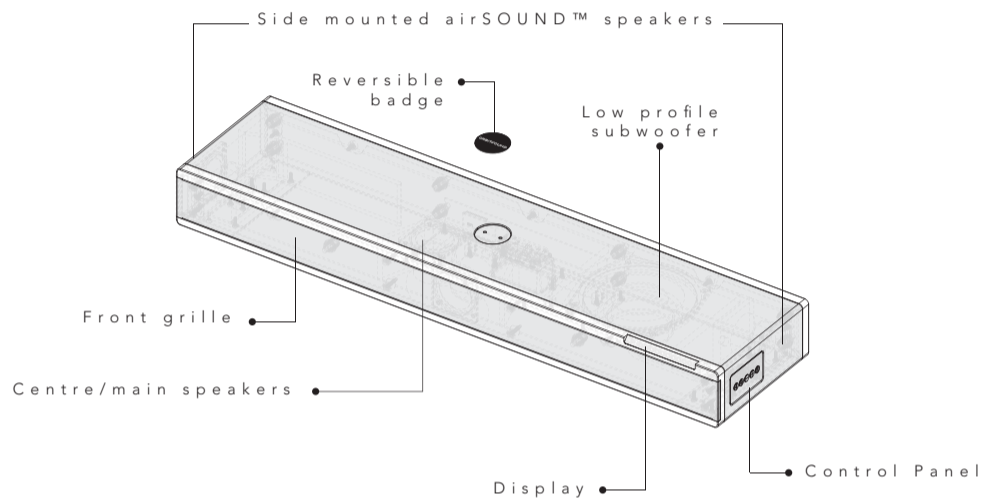
THANK YOU FOR LISTENING

When you use this product, you will experience the airSOUND advantage as well as our passion for acoustically driven, clean British design.

I have worked in the creative side of the audio business for over 50 years but it was in 2003 when the 'penny dropped'. I realised that what we hear as space and depth in sound could be faithfully reproduced from a single point; eliminating the need to sit in between speakers. At Orbitsound we have been studying and developing this airSOUND technology ever since. We believe that airSOUND is the best way to reproduce audio in today's living spaces.

After hearing airSOUND for the first time, I said to myself, "One day all loudspeakers will be made this way".

Ted Fletcher
(founder - Orbitsound Ltd.)

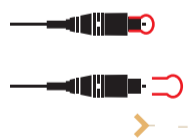


CONNECT

CONNECT YOUR AUDIO SOURCE

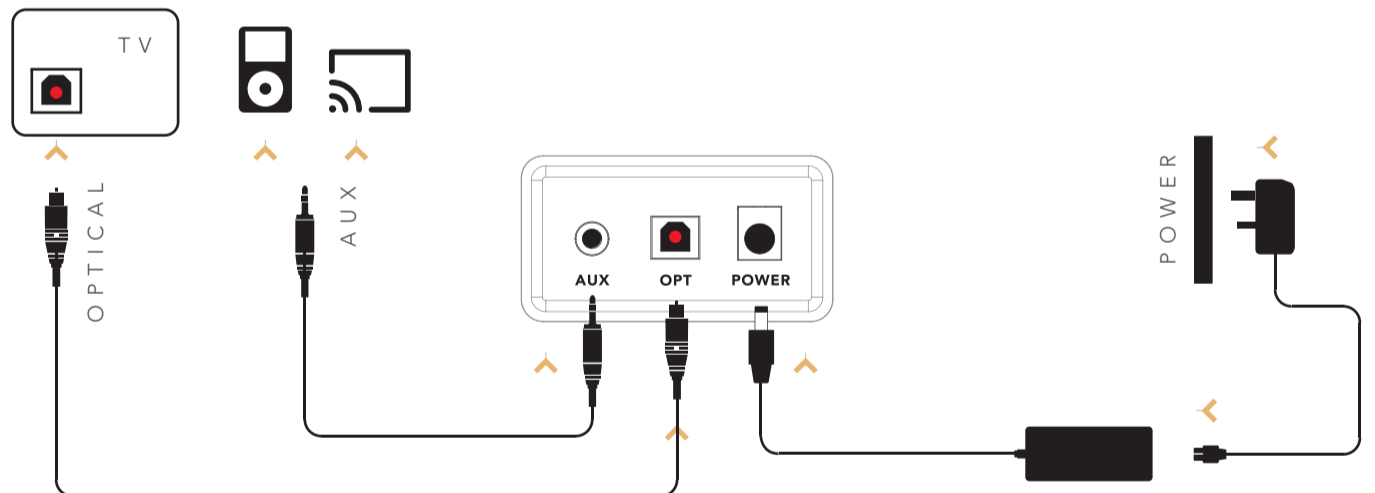
For TVs, use an optical cable to connect the optical output directly to the ONE.

For audio sources such as multiroom devices or CD players, use the 3.5mm AUX input. The AUX input can also be used for TVs.



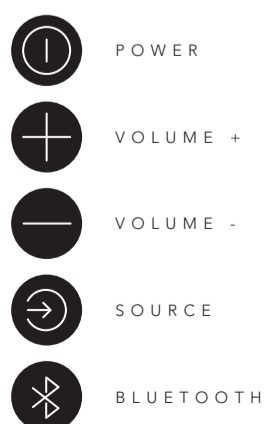
IMPORTANT

Remove the protective plastic covers from the optical cable before using. Failure to do this may damage your equipment.

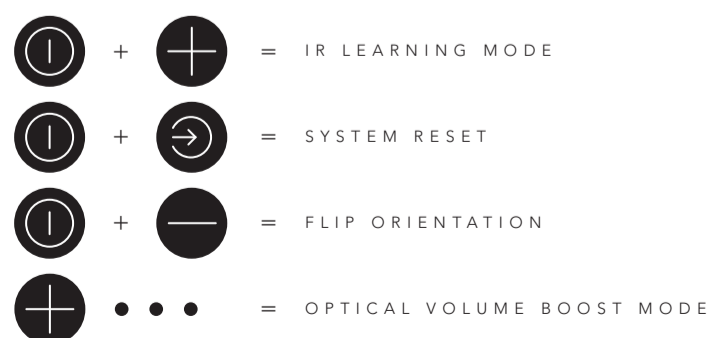


CONTROLS

MAIN CONTROLS



QUICK REFERENCE



TO PAIR A BLUETOOTH DEVICE

Press and hold the Bluetooth button until the blue light flashes quickly. Look for 'Orbitsound ONE P70' in your Bluetooth device list.



NOTE:

Press the Bluetooth button or "Play" button on the remote to reconnect your device easily. You can use the Play controls on the Orbitsound remote to control Bluetooth audio playback.

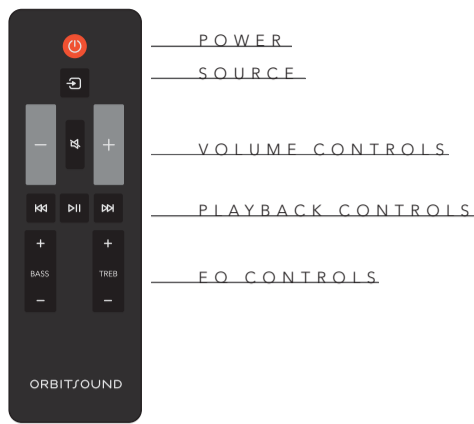
TV OPTICAL VOLUME BOOST:

To increase the volume of optical sources (TVs):

- Change source to Optical
- Increase volume to MAX
- Press and hold VOL+ on the remote for 3 seconds

The system shows more volume steps for you to access for optical source. This setting is stored until a system reset.

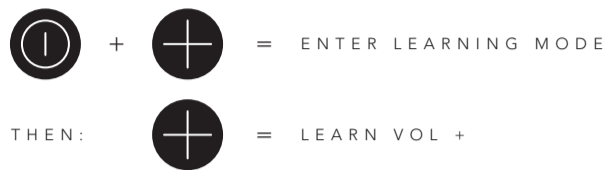
REMOTE



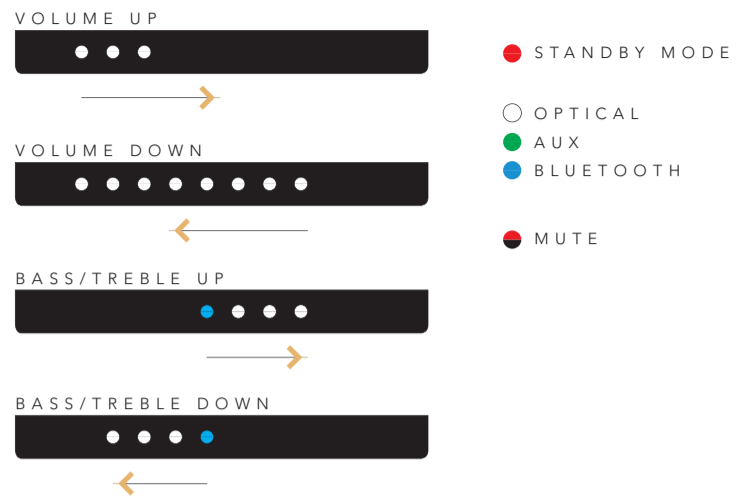
LEARNING A REMOTE CONTROL

The ONE can learn to respond to another remote control (e.g. your TV remote) to save swapping controllers.

- Press and hold [Power] and [Volume +] buttons together on the control panel until the lights flash on the display.
 - Press a button on the control panel that you wish to program a new remote for (e.g. Volume +).
 - Press a button on your remote to be learned.
 - The lights will flash.
 - Press the remote button again. The button should be learned.
- Repeat to learn other buttons, VOL+, VOL-, Source, and Bluetooth.

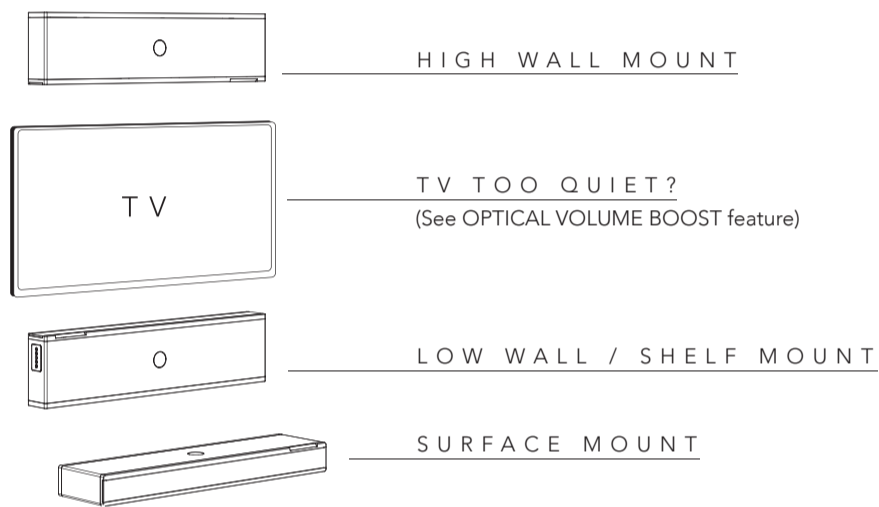


DISPLAY



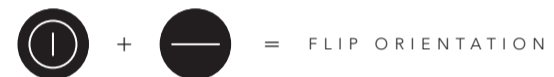
WALL MOUNTING

CHOOSE YOUR ORIENTATION

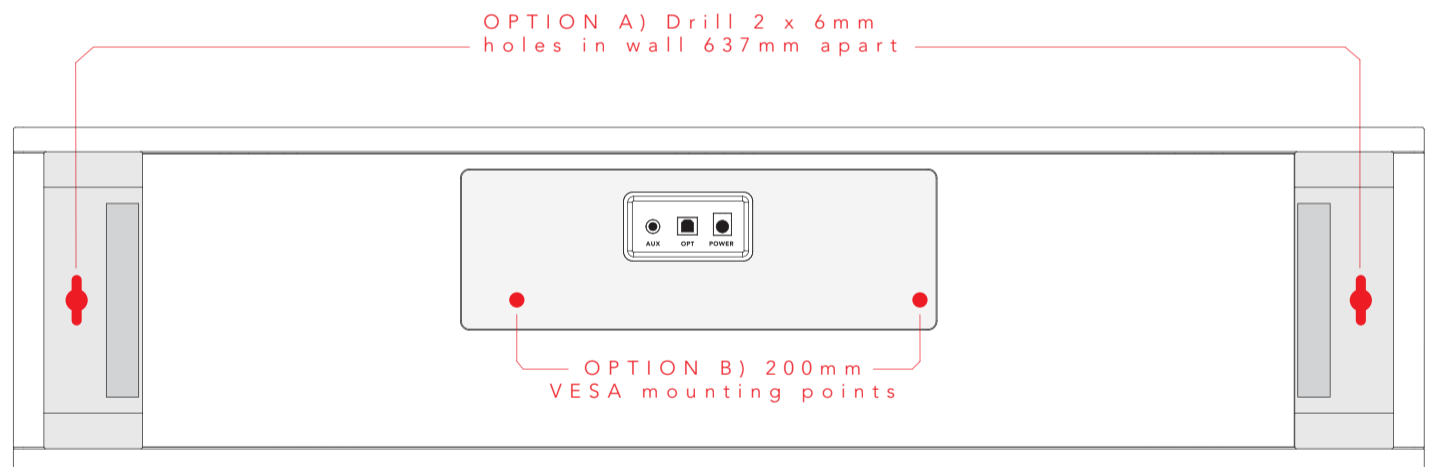


FLIP THE DISPLAY

When using a low wall or shelf mount, the display needs to be flipped. Simply press and hold [Power] and [Volume -] for 5 seconds to reverse the display.



ENSURE THE WALL IS SUITABLE FOR THE WALL PLUGS PROVIDED. DRILL HOLES IN YOUR WALL AS SHOWN TO FIT THE PLUGS AND SCREWS. CAREFULLY HANG THE ONE P70 AS SHOWN.



IMPORTANT: WALL MOUNTING TO BE DONE ONLY BY AN EXPERIENCED PROFESSIONAL. ORBITSOUND ACCEPT NO LIABILITY FOR DAMAGE DUE TO IMPROPER OR UNSAFE WALL MOUNT INSTALLATION.

FAQ

No Sound from optical (TV) source
No Sound from optical Set-Top-Box (STB) source
Loud noise when watching HD channels on optical
Please check your TV or STB settings. Make sure that the optical output format is set to 'STEREO' or 'PCM' format. This is the correct format for this unit.

I cannot make my ONE learn from my remote.
When I complete learning process, no lights flash.
Please note: Not all remotes are supported with our learning process. Check the website for compatibility information. If your remote should work but does not, make sure you are aiming the remote at the IR receiver (near the light panel). Make sure you tap the key on the remote to be learned briefly when prompted.

My remote control is not working
Ensure the battery protection film has been removed. Pull the tab and remove. If needed, replace the battery with a high quality CR2032 type cell.

The optical cable does not work.
Please check the optical cable and remove any protective covers from connectors. Check the optical output format is PCM or STEREO on your source.

How do I position my ONE to get the best sound?
Make sure that the side (airSOUND) speakers are clear from obstacles and that there is a front speaker (top or front) facing your main listening position. Positioning is not too critical.

Switching from TV to Bluetooth, there is a big volume difference - the TV is quiet.
Some TVs reduce the volume of sound that comes out of the optical port. You will need higher volume settings on the ONE to compensate. This is normal.

I'm using Bluetooth and sometimes the sound is interrupted
Bluetooth is a short range wireless technology. We recommend you keep your Bluetooth device in the same room as the sound bar and not obstructed by walls or metallic objects as they can block the signal. Please do not place other wireless devices such as wireless routers, cordless telephones and microwave ovens close to your speaker as they can interfere with the Bluetooth connection.

I need more information
Please visit www.orbitsound.com to download the full product user manual or to contact a customer support representative.