



ONE P70

ADVANCED GUIDE

DESIGNED
IN BRITAIN





QUICK REFERENCE

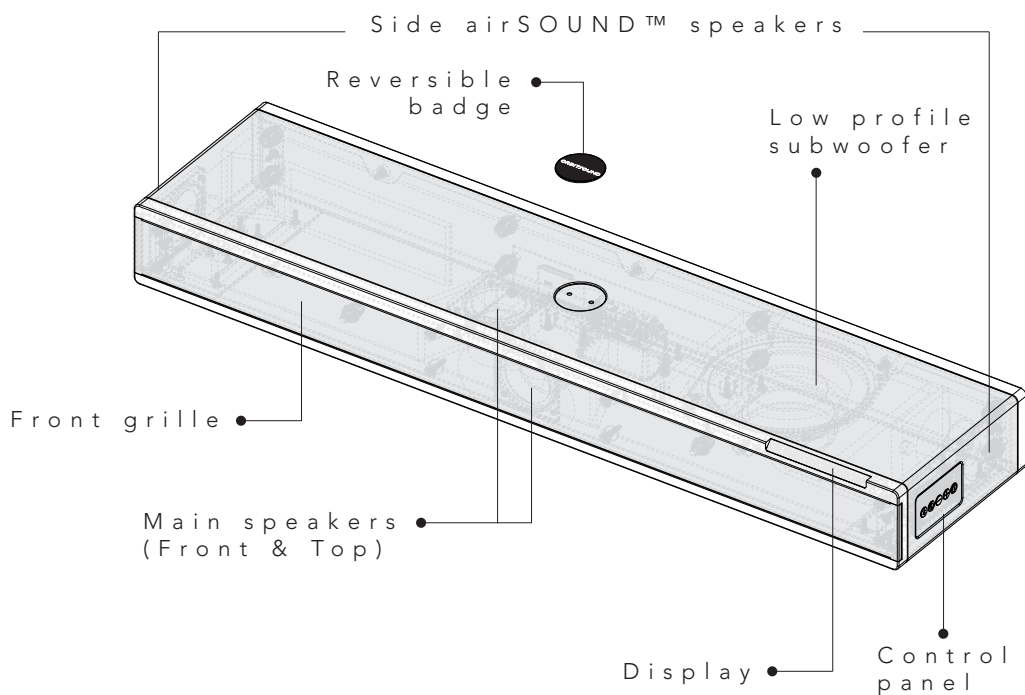
 +  = IR LEARNING MODE

 +  = DEMO / INSTALL MODE

 +  = SYSTEM RESET

 +  = OPTICAL VOLUME BOOST MODE

 +  = FLIP ORIENTATION



ADVANCED FEATURES

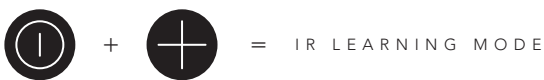
OPTICAL BOOST



Some sound sources have a low optical output volume. The ONE by default is optimised for best performance with normal volume optical signals. However, you may find that there is not enough maximum volume with some optical sources (mainly TVs running some broadcast services).

The ONE features an extra 7.5dB of gain on the optical input with the optical boost feature. To enable this, increase volume to maximum with the remote control. Then, press and hold the VOL+ button on the remote for 3 seconds. More volume steps will appear, and you have access to a higher maximum. The setting is saved until a system reset.

LEARNING A REMOTE CONTROL



- Press PWR and VOL+ until lights flash
- Press the button you want to learn on the control panel (e.g. VOL+)
- Press the button you want to teach on the new remote
- Press the button you want to teach again
- The system will flash to confirm the remote has been learned (You can repeat to learn other control panel buttons, VOL+, VOL-, Source, and Bluetooth)

SYSTEM RESET



To reset the system to defaults, press and hold the PWR and SRC buttons on the control panel until the lights flash to confirm the following settings are reset:

- Volume, 30%
- Bass / Treble, FLAT
- Source, OPT
- Demo mode OFF
- Optical sensitivity, NORMAL
- Bluetooth device memory, CLEARED (you will need to re-pair any Bluetooth devices)

AUTO LOW POWER 'DOZE'



The ONE senses the presence of audio. If there is no audio playing for 5 minutes, then the control panel lights will go out. This shows the ONE is in ultra low power mode.

To resume from DOZE, simply play audio (e.g. turn the connected TV on). The ONE will auto resume when audio is sensed.

You can also resume from DOZE by pressing the power button on the remote or the control panel.

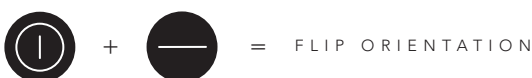
DEMO / INSTALL MODE

If the ONE is to be used in an unattended installation, there is a useful feature to prevent Human interference from causing the unit to become non-operable. The DEMO mode allows you to set a desired source, volume, treble and bass settings, and to 'save' these. When in DEMO mode, the system will allow people to change the settings and 'play' with the unit, but when they leave, after 5 minutes of no activity, the ONE will automatically recall the saved settings. This is especially useful when used in conjunction with a kiosk display, or public installation.



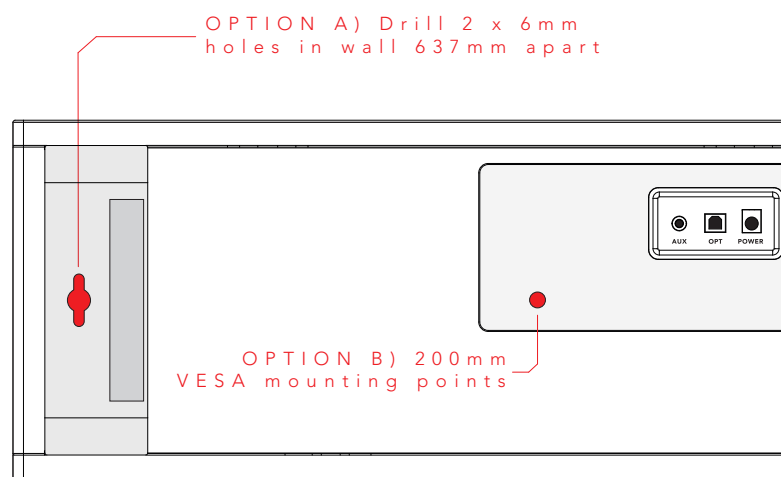
1. Choose your desired settings
2. Press and hold PWR and BT buttons on the control panel for 10 seconds

REVERSING THE UNIT



To reverse the Orbitsound logo/badge, simply prise loose with a credit card, and click back into place. To reverse the display orientation, press and hold the PWR and VOL- buttons for 5 seconds. The system will flash to confirm reversed operation.

WALL MOUNT

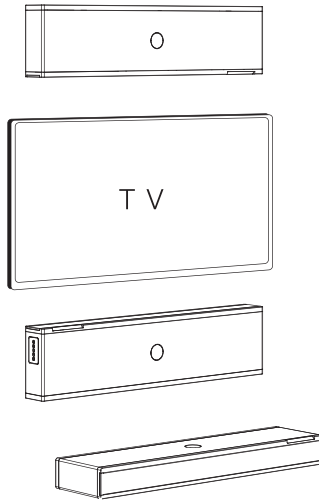


IMPORTANT: WALL MOUNTING TO BE DONE ONLY BY AN EXPERIENCED PROFESSIONAL. ORBITSOUND ACCEPT NO LIABILITY FOR DAMAGE DUE TO IMPROPER OR UNSAFE WALL MOUNT INSTALLATION.

ENSURE THE WALL IS SUITABLE FOR THE WALL PLUGS PROVIDED. DRILL HOLES IN YOUR WALL AS SHOWN TO FIT THE PLUGS AND SCREWS. CAREFULLY HANG THE ONE P70 AS SHOWN.

MOUNTING FOR OPTIMAL ACOUSTICS

This section explains how to choose the best orientation acoustically for your situation. The ONE's multiple orientations are made possible by airSOUND technology. The front (main) signal is delivered through a front mounted and a top mounted driver simultaneously. It is the orientation of these drivers that can optimise the acoustic performance for your use. The subwoofer and side firing airSOUND drivers are not affected by the unit's orientation.



HIGH WALL MOUNT

SHELF / LOW WALL MOUNT

SURFACE MOUNT

HIGH WALL MOUNT

When mounted high on a wall, or mounted below a deep TV or shelf, use this orientation. The front and downward firing drivers are carefully positioned to give a smooth coverage throughout the space, from standing underneath the unit, to farther away. Note, also use this for wall mounting below a TV that is especially deep or high on a wall.

SHELF / LOW WALL MOUNT

For mounting on a shelf, or for mounting low on a wall, it is best to reverse the unit for the best sound, having the secondary driver pointing upwards.

For this orientation, you will need to reverse the logo badge and reverse the display orientation.

SURFACE MOUNT

Simply placed flat, in front of a TV, the sound will be well optimised to give good coverage. The front facing driver will give clear vocals, whilst the top driver will provide for reflected sound from the screen, giving a nice ambience to the experience.

